

VI TELEFILTER**Filter specification****TFS 300 D****1/5****1. Measurement condition :**

Ambient temperature T_A :	23	°C
Input power level:	0	dBm
Terminating impedances at f_C *) :	for input:	29,5 Ω - 16,1 pF
	for output:	206 Ω - 9,0 pF

2. Characteristics

Remark: Reference level for the relative attenuation a_{rel} of the TFS 300D is the minimum of the pass band attenuation a_{min} . The minimum of the pass band attenuation a_{min} is defined as the insertion loss a_e . The centre frequency f_C is the arithmetic mean value of the upper and lower frequencies at the 3 dB filter attenuation level relative to the insertion loss a_e . The nominal frequency f_N is fixed at 300 MHz without tolerance. The given values for the relative attenuation a_{rel} and for the group delay ripple have to be reached at the frequencies given below even if the centre frequency f_C is shifted due to the temperature coefficient of frequency T_{Cf} in the operating temperature range and due to a production tolerance for the centre frequency f_C .

Data		typ. value	tolerance / limit
Insertion loss (Reference level)	a_e	20,2 dB	max. 21 dB
Nominal frequency	f_N	-	300 MHz
Centre frequency	at ambient temperature (f_{CTA})	300,087 MHz	-
Centre frequency	f_C at temperature $T = 37,5^\circ$	300,000 MHz	-
Pass band in OTR :	PB		$f_N \dots f_N \pm 9,42$ MHz
Amplitude ripple in PB (p-p) :		0,4 dB	max. 1 dB
Bandwidth at $T_C = 37,5^\circ C$:			
1 dB		19,6 MHz	min. 18,84 MHz
5 dB		20,4 MHz	max. 21,70 MHz
15 dB		21,0 MHz	max. 22,24 MHz
Relative attenuation in in OTR	a_{rel}		
f_N	$\dots f_N \pm 9,42$ MHz	0,4 dB	max. 1 dB
$f_N \pm 10,58$ MHz	$\dots f_N \pm 11,12$ MHz	15 dB	min. 5 dB
$f_N \pm 11,12$ MHz	$\dots f_N \pm 40$ MHz	23 dB	min. 15 dB
Group delay (mean value in PB):		1,28 μs	max. 1,5 μs
Group delay ripple (p-p) in PB :		60 ns	max. 100 ns
Triple transit attenuation compared to main signal		42 dB	max. 34 dB
Temperature coefficient of frequency (T_{Cf})		- 20 ppm/K	- 17,8 ppm/K
Frequency deviation of f_C over temperature: **)		$\Delta f_C(\text{Hz}) = T_{Cf}(\text{ppm/K}) \times (T - T_{CTA}) \times f_{CTA} (\text{MHz})$	-
Operating temperature range	OTR	-	+ 10 °C ... + 65 °C
Storage temperature range		-	- 40 °C ... + 85 °C

*) The terminating impedances depend on parasitics and q-values of matching elements and the board used, and are to be understood as reference values only. Should there be additional questions do not hesitate to ask for an application note or contact our design team.

generated: _____

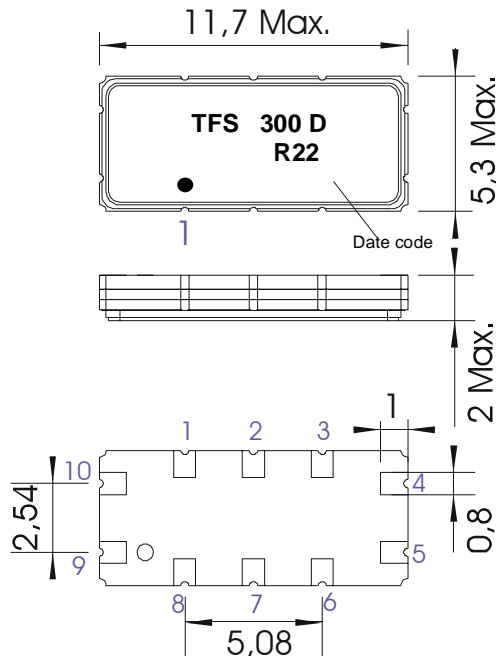
checked / approved: _____

TELEFILTER GmbH
Potsdamer Straße 18
D 14 513 TELTOW / Germany
Tel: (+49) 3328 4784-0 / Fax: (+49) 3328 4784-30
E-Mail: tft@telefilter.com

VI TELEFILTER reserves the right to make changes to the product(s) and/or information contained herein without notice. No liability is assumed as a result of their use or application. No rights under any patent accompany the sale of any such product(s) or information.

3. Construction and pin connection :

(All dimensions in mm, pin grid 2,54 mm)



Date code: Year+week

N 2001

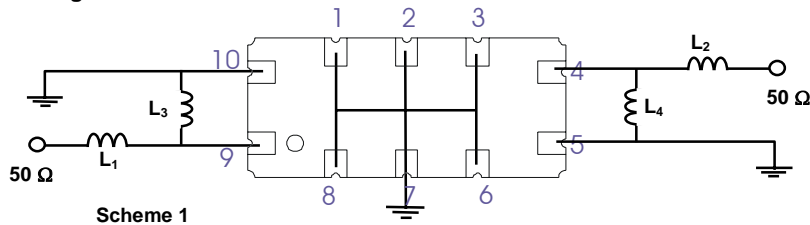
P 2002

R 2003

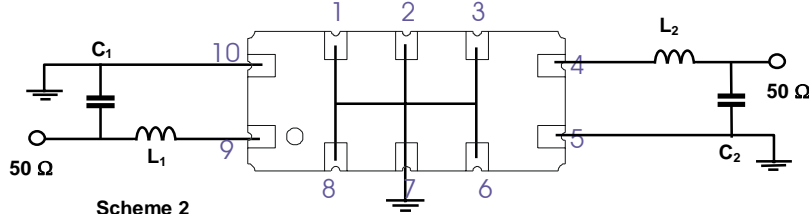
... ..

Pin 9 Input.
 Pin 10 Input RF Return.
 Pin 4 Output.
 Pin 5 Output RF Return.
 Pin 1, 2, 3, 6, 7, 8 – Package Ground.

4. 50 Ω matching network



Scheme 1



Scheme 2

TELEFILTER GmbH
 Potsdamer Straße 18
 D 14 513 TELTOW / Germany
 Tel: (+49) 3328 4784-0 / Fax: (+49) 3328 4784-30
 E-Mail: tft@telefilter.com

VI TELEFILTER reserves the right to make changes to the product(s) and/or information contained herein without notice. No liability is assumed as a result of their use or application. No rights under any patent accompany the sale of any such product(s) or information.

5. Stability characteristics :

After the following tests the filter shall meet the whole specification:

1. Shock: 500g, 18 ms, half sine wave, 3 shocks each plane;
DIN IEC 68 T2 - 27
2. Vibration: 10 Hz to 500 Hz, 0,35 mm or 5g respectively, 1 octave per min, 10 cycles per plan, 3 plans;
DIN IEC 68 T2 - 6
3. Change of temperature: -55 °C to 125°C / 30 min. each / 10 cycles
DIN IEC 68 part 2 – 14 Test N
4. Resistance to solder heat (reflow): reflow possible: twice max.;
for temperature conditions refer to the attached "Air reflow temperature conditions" on page 4;

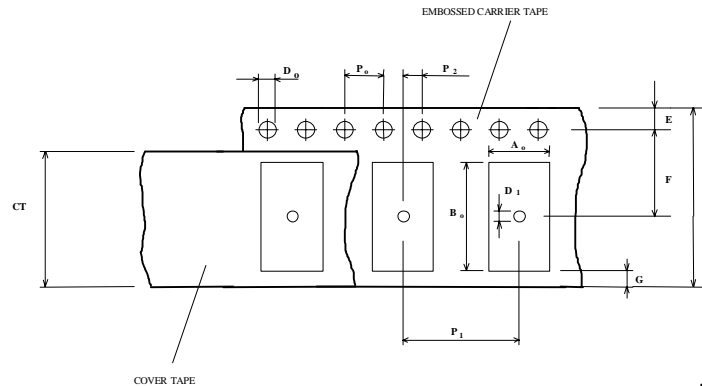
6. Packing :

Tape & Reel: DIN IEC 286 - 3, with exception of value for N and minimum bending radius;
tape type II, embossed carrier tape with top cover tape on the upper side;

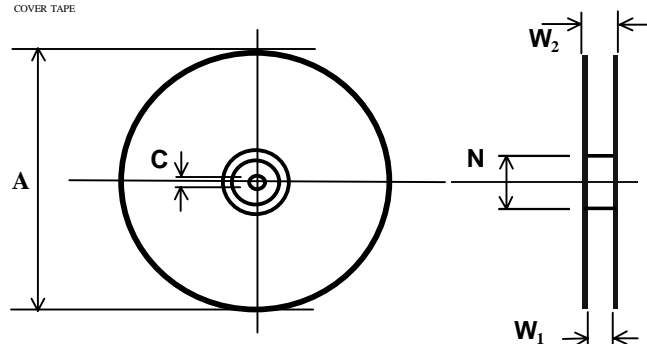
max. pieces of filters per reel:	3000
reel of empty components at start:	min 300 mm
reel of empty components at start including leader:	min 500 mm
trailer	min 300 mm

Tape (all dimensions in mm)

W	: 24 ± 0,3
Po	: 4 ± 0,1
Do	: 1,5 + 0,1
E	: 1,75 ± 0,1
F	: 7,5 ± 0,1
G (min)	: 0,6
P2	: 2 ± 0,1
P1	: 8 ± 0,1
D1(min)	: 1,5
Ao	: 5,6 ± 0,1
Bo	: 11,8 ± 0,
CT	: 21,5 ± 0,1

**Reel (all dimensions in mm):**

A	: 330
W1	: 24,4 +2,0
W2(max)	: 30,4
N(min)	: 60
C	: 13 +0,5/-0,2



The minimum bending radius is 45 mm. The mounting surface of the filters faces the bottom side of the embossed carrier tape. Markings on the filters can be read if the upper side of the carrier tape is regarded with the sprocket holes on its right.

TELEFILTER GmbH
Potsdamer Straße 18
D 14 513 TELTOW / Germany
Tel: (+49) 3328 4784-0 / Fax: (+49) 3328 4784-30
E-Mail: tft@telefilter.com

VI TELEFILTER reserves the right to make changes to the product(s) and/or information contained herein without notice. No liability is assumed as a result of their use or application. No rights under any patent accompany the sale of any such product(s) or information.

7. Air reflow temperature conditions :

1st and 2nd air reflow profile

Name:	pre-heating periods	main-heating periods	peak temperature
Temperature:	150 °C - 170 °C	over 200 °C	255 °C ± 5 °C
Time:	60 sec. - 90 sec.	20 sec. - 25 sec.	

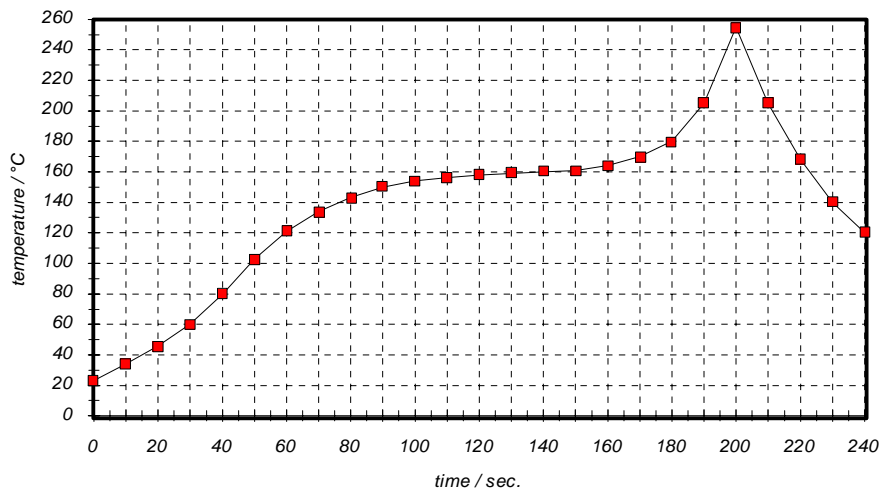
Chip-mount air reflow profile

Table for temperature vs. time during the air reflow process

Tolerance of temperatures: ± 5 °C

time / sec.	temperature / °C	time / sec.	temperature / °C
0	23	140	160
10	34	150	161
20	46	160	164
30	60	170	170
40	80	180	180
50	103	190	205
60	121	195	230
70	134	200	255
80	143	205	230
90	150	210	205
100	154	215	180
110	156	220	165
120	158	230	140
130	159	240	120

TELEFILTER GmbH
 Potsdamer Straße 18
 D 14 513 TELTOW / Germany
 Tel: (+49) 3328 4784-0 / Fax: (+49) 3328 4784-30
 E-Mail: tft@telefilter.com

VI TELEFILTER reserves the right to make changes to the product(s) and/or information contained herein without notice. No liability is assumed as a result of their use or application. No rights under any patent accompany the sale of any such product(s) or information.

8. History :

Version	Reason of Changes	Name	Date
1.0	- generate development specification according to customer requirements	Dunzow W.	13.01.2003
1.1	- change limit lines according to customer requirements	Dunzow W.	04.02.2003
1.2	- add terminating impedances - change from development specification to preliminary specification	Braun T.	03.07.2003
1.3	- add typical value data - change from preliminary specification to filter specification	Braun T.	25.08.2003